

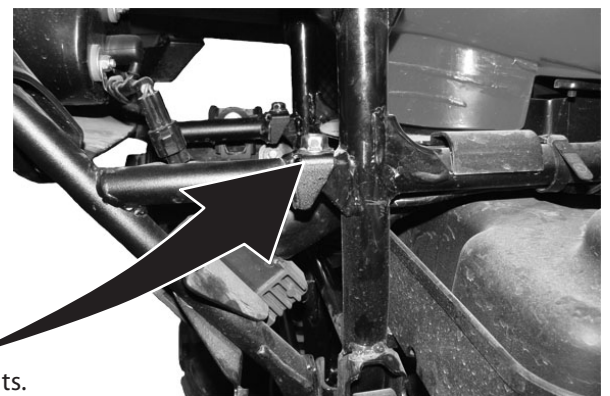
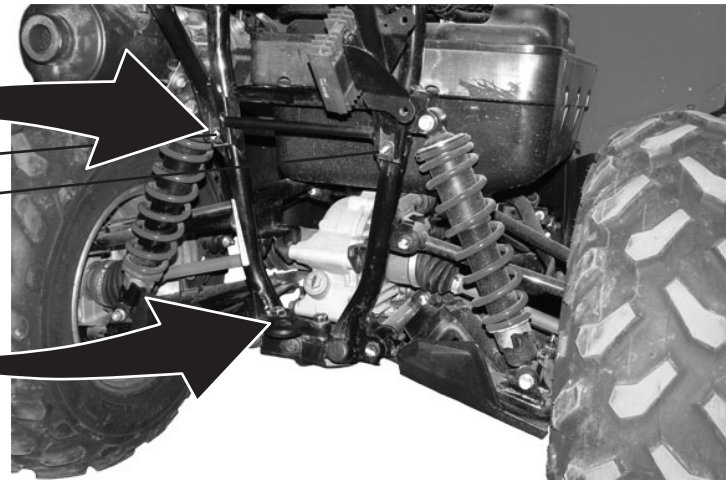
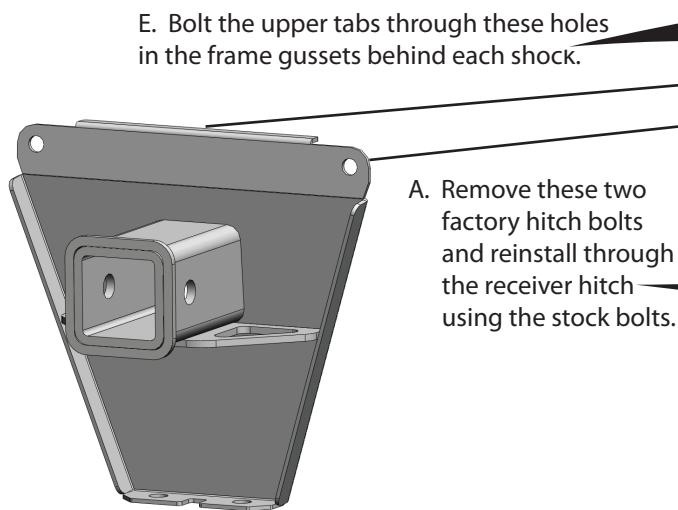
Receiver Hitch

Kawasaki

'05-12 Brute Force 650i/750

Part Number: 1178

1. The receiver hitch installs in between the frame and rear rack support on top and through the stock hitch holes on the bottom.
2. In order to fit the receiver hitch in place, remove or loosen the bolts in the following order:
 - A. Remove the two bolts holding the stock hitch to the frame (keep the hitch in place).
 - B. Remove the two top bolts holding the rack to the rear rack support.
 - C. Loosen the two muffler bracket bolts but keep them in place.
 - D. Remove the two bolts holding the crosstube of the rear rack support to the frame (see illustration).
 - E. Remove the two lower rear rack support bolts.
4. The rear rack support should now be loose enough for you to slide the top of the receiver up into place between the frame and rear rack support arms. The bottom of the receiver will fit on top of the stock hitch. Loosely bolt the bottom of the receiver in place through the stock hitch using the stock bolts removed earlier.
5. To reinstall the rear rack support first loosely install the bolts in the reverse order from above. You will need to lift up and push in the rack support in order to hand install the two crosstube to frame bolts. Once all the bolts are started by hand, tighten all bolts firmly.



Cambridge Metals & Plastics
500 South Cleveland Cambridge, MN 55008
763-689-4800

FOR QUESTIONS OR COMMENTS PLEASE CALL: **763-689-4800**

All images used are copyrighted property of CMP and may not be used without permission.

Inst1178 12/01/08