



LP0212

FITTING INSTRUCTIONS FOR LP0212BK LICENCE PLATE BRACKET
Honda NC700X/S/DCT/Integra & NC750X&S 2016-

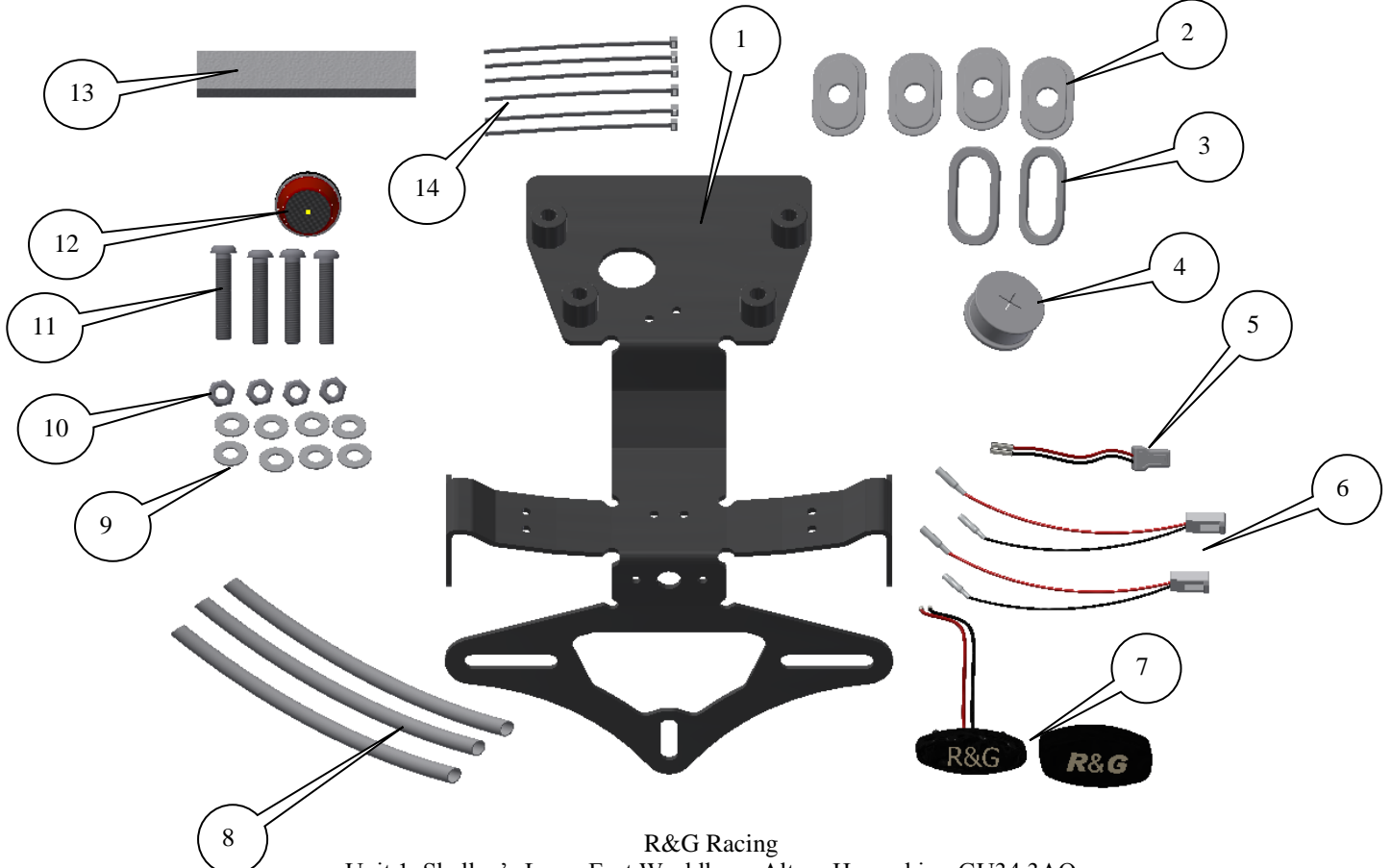
Page | 1



THIS KIT CONTAINS THE ITEMS PICTURED AND LABELLED BELOW.
DO NOT PROCEED UNTIL YOU ARE SURE ALL PARTS ARE PRESENT.

Please note that the way the kit is packed does not necessarily represent the way of mounting to the bike

THE PARTS SHOWN MAY BE REPRESENTATIVE ONLY (FOR CLARITY OF INSTRUCTIONS ONLY)



R&G Racing
 Unit 1, Shelley's Lane, East Worldham, Alton, Hampshire, GU34 3AQ
 Tel: +44 (0)1420 89007 Fax: +44 (0)1420 87301 www.rg-racing.com Email: info@rg-racing.com



LP0212

LEGEND

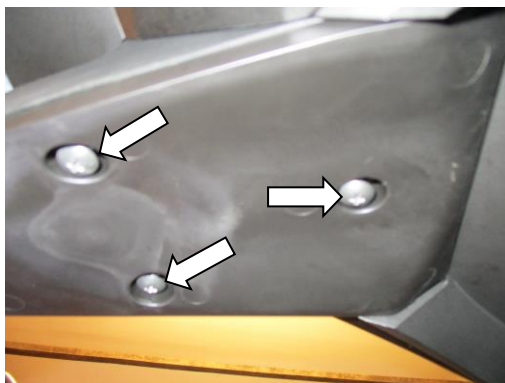
- ITEM 1 = LICENCE PLATE BRACKET (TB0212) (x1) (with (3x S0477 SWAGED IN POSITION)).
ITEM 2 = MINI INDICATOR ADAPTORS (I0031) (x4).
ITEM 3 = INDICATOR ADAPTORS/SPACERS (I0032) (x2).
ITEM 4 = RUBBER GROMMET/BUSH (RB0002) (x1).
ITEM 5 = LICENCE PLATE ILLUMINATOR CONNECTOR (CON0049) (x1).
ITEM 6 = MINI INDICATOR CONNECTORS (CON0009) (x2).
ITEM 7 = LA0002 No PLATE LIGHT ASSEMBLY (x1).
ITEM 8 = 150mm LENGTH OF HEAT SHRINK (x3).
ITEM 9 = M6 WASHER (x8).
ITEM 10 = M6 NYLOC NUT (x4).
ITEM 11 = M6 x 35mm LONG BUTTON HEAD BOLT (x3).
ITEM 12 = REFLECTOR (REFL 1) (x1).
ITEM 13 = SELF ADHESIVE FOAM (x1).
ITEM 14 = CABLE TIES (x6).
ITEM 15 = CABLE CLIPS (x3) (NOT SHOWN).

Page | 2

Please note that in cases where kits are packed with rubber washers holding the components onto the bolt – *the rubber washers should be thrown away!*

TOOLS REQUIRED

- Set of metric Allen keys to include, 4 and 5mm A/F sizes.
- Socket set to include 10mm A/F socket and wrench.
 - Phillips driver.
 - Electrical pliers/crimps.
 - Small amount of super glue.



PICTURE 1

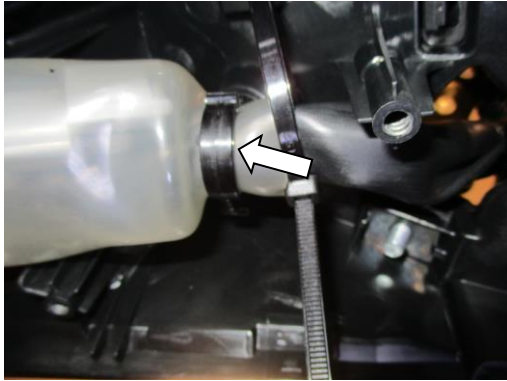


PICTURE 2

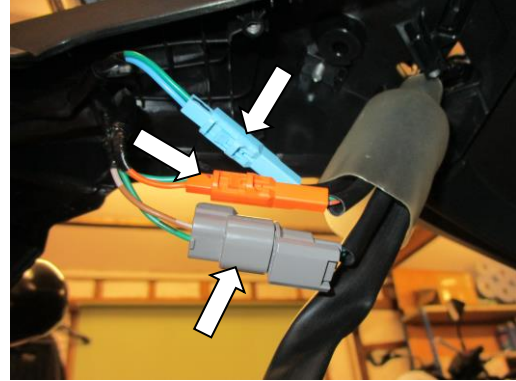


LP0212

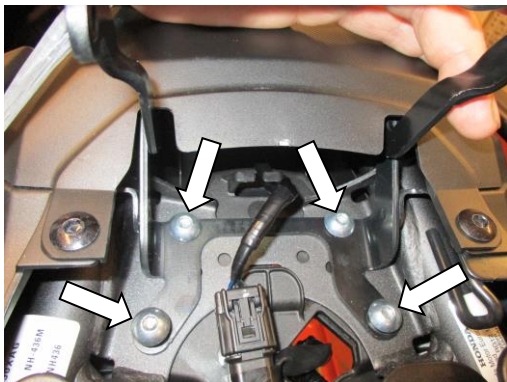
Page | 3



PICTURE 3



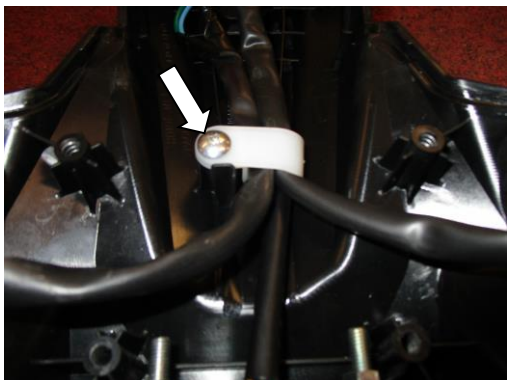
PICTURE 4



PICTURE 5



PICTURE 6



PICTURE 7



PICTURE 8

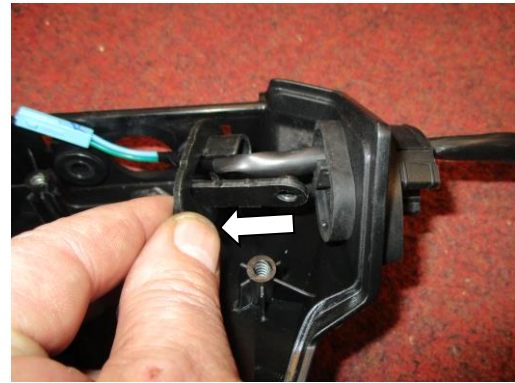


LP0212

Page | 4



PICTURE 9



PICTURE 10



PICTURE 11



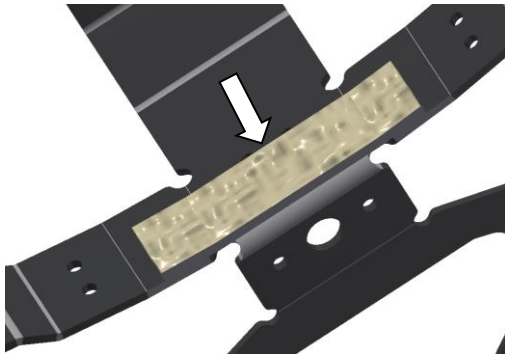
PICTURE 12



PICTURE 13



PICTURE 14



PICTURE 15



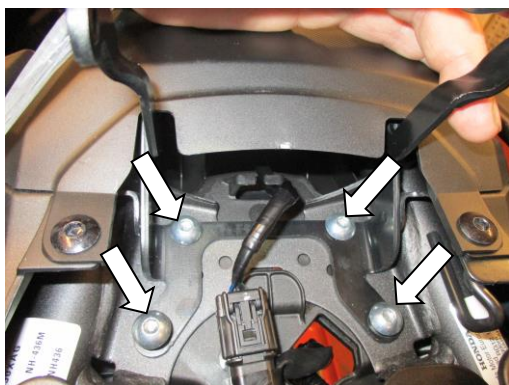
PICTURE 16



PICTURE 17



PICTURE 18



PICTURE 19



PICTURE 20



LP0212

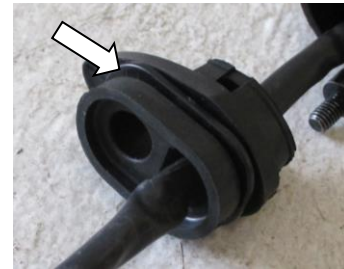
FITTING INSTRUCTIONS

- Remove the seat.
- Remove the seven screws arrowed in pictures 1 and 2.
- Unclip and remove the cable cover to allow access to the wiring plug sockets.
- Unclip the cable tidy arrowed in picture 3.
- Disconnect the indicator and licence plate illuminator plug sockets arrowed in picture 4 (*It's a good idea to mark the matching connectors up at this stage to make re-fitting easier*).
- Remove the four bolts arrowed in picture 5.
- Carefully lower the original licence plate bracket while feeding the wiring through the hole in the original licence plate bracket as shown in picture 6.
- Feed the wiring through the hole in the under-tray so the wiring is in the under-seat compartment.

Page | 6

If reusing the original indicators

- Remove the cable tidy clamp arrowed in picture 7.
- Remove the bolt arrowed in picture 8 and remove the indicator as shown in picture 9.
- Remove the indicator clamp bracket as shown in picture 10.
- Remove the indicator rubber as shown in picture 11.
- Repeat the above steps for the opposite indicator.
- Place the indicator spacers (item 3) onto the original indicator rubber as shown below.



- Fit the original indicators to the new licence plate bracket (item 1) as shown in picture 12 and secure as original.

If using the mini indicators

- To fit the R&G Mini Indicators (R&G mini indicator product code RG370 for bulb type and RG371 for LED type or RG372 for Aero Style led type), fit one length of heat-shrink (item 8) to the wires of each indicator.
- Position two indicator adaptors (item 2 –I0031) onto the wiring of each indicator, ensuring the sides facing each other have the raised centre profile, before fitting the flanged nut supplied, as shown below.



R&G Racing

Unit 1, Shelley's Lane, East Worldham, Alton, Hampshire, GU34 3AQ

Tel: +44 (0)1420 89007 Fax: +44 (0)1420 87301 www.rg-racing.com Email: info@rg-racing.com



LP0212

- Fit the R&G licence plate illuminator (item 7) as shown in pictures 13 and 14, please note you will have to fit the light shroud and use a small amount of adhesive to hold in position.
- Cut and fit the self-adhesive foam strip (item 13) as shown in picture 15.
- Cut the rubber grommet (item 4) half way through to allow the larger licence plate illuminator plug socket and the indicator wires to be fitted as shown in picture 16.
- Feed the wires through the rubber grommet (item 4) and fit into the licence plate bracket (item 1) as shown in picture 17.
- Use the supplied cable ties and cable clips (items 14 and 15) to tidy and hold the wiring in place as shown in picture 18.
- Place the tail tidy assembly on the rear wheel whilst the wiring is placed through the hole on the underside of the rear sub-frame.
- Offer the tail tidy assembly up to the underside of the tail unit (as shown in the top pictures) and place one of the four M6 x 35mm Button Head Bolts (item 1) with a washer (item 9) through the licence plate bracket from the underside, and into the location point within the rear sub-frame, as shown in picture 19. With the exposed thread of the bolt protruding from above, place a washer and M6 Nyloc Nut (items 9 and 10) onto the bolt and loosely tighten.
- Fit the three remaining bolts with washers through the licence plate bracket in the same way, and loosely tighten the Nyloc nuts.
- With all four bolts in place, these can be tightened. *Please ensure the wires are not trapped.*
- Connect the licence plate illuminator using the supplied plug socket (if the licence plate illuminator fails to light please swap the bullet connectors over), if using original indicators, connect to the main loom on the bike as original (they are colour coded to avoid confusion) and check the operation of the indicators and lights. If using R&G mini indicators please use the two remaining connectors (item 6) to connect to the main loom. If using R&G LED type indicators, resistors (R&G product code RGR0001) may have to be used to achieve the correct flash rate (if illumination fails please swap the bullet connectors over).
- **IMPORTANT: IF FITTING A FULL-SIZE LICENCE PLATE AND PLACING IT FAR DOWN ON THE LICENCE PLATE HANGER, THERE IS A SMALL CHANCE OF THE LICENCE PLATE HITTING THE BACK WHEEL UNDER HEAVY LOAD AND OVER LARGE BUMPS IN THE ROAD. IT IS YOUR RESPONSIBILITY TO CHECK FOR THIS POSSIBILITY AND TAKE AVOIDING ACTION. FAILURE TO CHECK THIS COULD RESULT IN SERIOUS INJURY.**
- Refit the seat unit and licence plate (it may require drilling).
- Depending on local laws, attach enclosed reflector (item 12) in an appropriate location.
- **Please test the indicators, rear light and licence plate illuminator before riding.**

Digital copies of these instructions are available to download from www.rg-racing.com

GENERAL TORQUE SETTINGS

M4 BOLT = 8Nm
M5 BOLT = 12Nm
M6 BOLT = 15Nm
M8 BOLT = 20Nm
M10 BOLT = 40Nm

ISSUE 1 13/02/2017 (NSY)

R&G Racing

Unit 1, Shelley's Lane, East Worldham, Alton, Hampshire, GU34 3AQ
Tel: +44 (0)1420 89007 Fax: +44 (0)1420 87301 www.rg-racing.com Email: info@rg-racing.com



LP0212

CONSUMER NOTICE

The catalogue description and any exhibition of samples are only broad indications of the Products and R&G may make design changes which do not diminish their performance or visual appeal and supplying them in such state shall conform to the order. The Buyer acknowledges no representation or warranty (other than as to title) has been given or will apply to the Products other than those in R&G's order or confirmation and the Buyer confirms it has chosen the Products as being of merchantable quality and suitable for its particular purposes. Where R&G fits the Products or undertakes other services it shall exercise reasonable skill and care and rectify any fault free of charge unless the workmanship has been disturbed. The Buyer is responsible for ensuring that the warranty on the motorcycle is not affected by the fitting of the Products. On return of any defective Products R&G shall at its option either supply a replacement or refund the purchase money but shall not be liable if the Products have been modified or used or maintained otherwise than in accordance with R&G's or manufacturer's instructions and good engineering practice or if the defect arises from accident or neglect. Other than identified above and subject to R&G not limiting its liability for causing death and personal injury, it shall not be liable for indirect or consequential loss and otherwise its liability shall be limited to the amounts paid by the Buyer for the Products or the fitting or service concerned. These terms do not affect the Buyer's statutory rights.

Page | 8

R&G RACING RETURNS POLICY (NON-FAULTY GOODS)

Returns must be pre-authorized (if not pre-authorized the return will be rejected). Goods may only be returned direct to us if they were purchased direct from us (customer must prove if necessary). Otherwise to be returned to original vendor. Goods must be in re-sellable condition, in the opinion of R&G Racing. All returns are subject to a 25% restocking and handling fee (25% of the gross value exc. P&P – at the prevailing price at time of purchase). The customer must pay any and all carriage charges. No returns of discontinued products, unless within 14 days of purchase. This policy does not affect your statutory rights and does not refer to faulty goods.

R&G Racing

Unit 1, Shelley's Lane, East Worldham, Alton, Hampshire, GU34 3AQ

Tel: +44 (0)1420 89007 Fax: +44 (0)1420 87301 www.rg-racing.com Email: info@rg-racing.com



LP0212

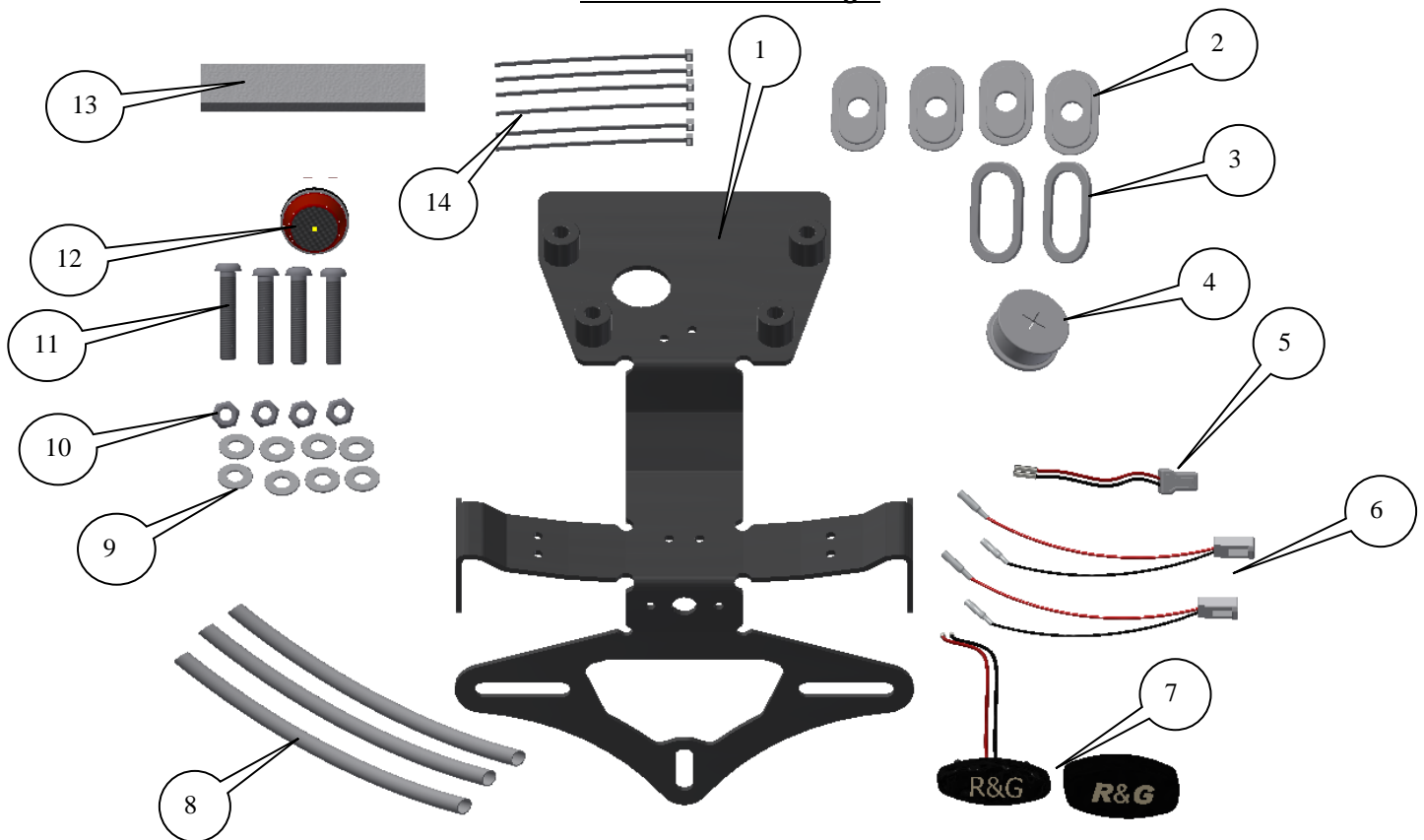
NOTICE DE MONTAGE POUR LP0212BK SUPPORT DE PLAQUE
Honda NC700X/S/DCT/Integra & NC750X&S 2016-

Page | 9



Assurez vous que toutes les pièces soient présentes avant de procéder au montage.

La façon dont le kit est emballé ne correspond pas forcément à la façon de monter les pièces sur la moto. Les pièces présentées peuvent n'être que représentatives, afin de faciliter et clarifier les instructions de montage.



R&G Racing

Unit 1, Shelley's Lane, East Worldham, Alton, Hampshire, GU34 3AQ
Tel: +44 (0)1420 89007 Fax: +44 (0)1420 87301 www.rg-racing.com Email: info@rg-racing.com



LP0212

LEGENDE

ARTICLE 1 = SUPPORT DE PLAQUE (TB0212) (x1) (avec (3x S0477 EN POSITION).

ARTICLE 2 = ADAPTATEURS DE MINI CLIGNOTANTS (I0031) (x4).

ARTICLE 3 = ADAPTATEURS/ENTRETOISES DE CLIGNOTANT (I0032) (x2).

ARTICLE 4 = OEILLET EN CAOUTCHOUC (RB0002) (x1).

ARTICLE 5 = CONNECTEUR DE FEU DE PLAQUE (CON0049) (x1).

ARTICLE 6 = CONNECTEURS DE MINI CLIGNOTANTS (CON0009) (x2).

ARTICLE 7 = LA0002 No ASSEMBLAGE DE FEU DE PLAQUE (x1).

ARTICLE 8 = 150mm BANDEAU THERMO RETRACTABLE (x3).

ARTICLE 9 = M6 RONDELLE (x8).

ARTICLE 10 = M6 ECROU (x4).

ARTICLE 11 = M6 x 35mm BOULON (x3).

ARTICLE 12 = REFLECTEUR (REFL 1) (x1).

ARTICLE 13 = MOUSSE AUTOCOLLANTE (x1).

ARTICLE 14 = COLLIERS DE SERRAGE (x6).

ARTICLE 15 = CLIPS DE CABLE (x3) (NON INDIQUE).

Page | 10

Notez que si les kits sont emballés avec des rondelles en caoutchouc servant à tenir les composants, *ces rondelles doivent être jetées !*

OUTILS REQUIS

- Jeu de clés Allen incluant les tailles 4, 5 & 6.
 - Clé à molette de 10mm.
 - Tournevis cruciforme.
 - Pincés électriques.
 - Un peu de superglue.

NOTICE DE MONTAGE

- Enlever le siège.
- Enlever les 7 vis indiquées sur les photos 1 et 2.
- Déclipser et enlever le cache câbles pour accéder aux prises de fils.
- Déclipser le collier de serrage, voir photo 3.
- Déconnecter les prises de clignotant et de feu de plaque, voir photo 4 (*Il est judicieux de marquer les connecteurs correspondant pour faciliter le remontage*).
- Enlever les 4 boulons indiqués sur la photo 5.
- Abaisser le support de plaque d'origine tout en passant les fils à travers le trou du support de plaque d'origine, voir photo 6.
- Passer les fils dans le trou du passage de roue de façon à ce que les fils se trouvent dans le compartiment sous le siège.

Si vous réutilisez les clignotants d'origine

- Enlever le collier de serrage, voir photo 7.
- Enlever le boulon indiqué sur la photo 8 puis enlever le clignotant, voir photo 9.
- Enlever le support de clignotant, voir photo 10.
- Enlever le caoutchouc de clignotant, voir photo 11.
- Répéter les étapes du dessus pour l'autre clignotant.

R&G Racing

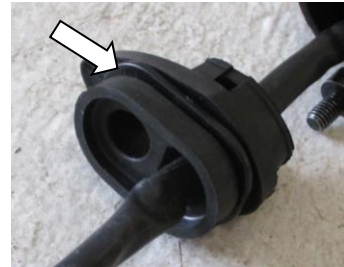
Unit 1, Shelley's Lane, East Worldham, Alton, Hampshire, GU34 3AQ

Tel: +44 (0)1420 89007 Fax: +44 (0)1420 87301 www.rg-racing.com Email: info@rg-racing.com



LP0212

- Placer les entretoises de clignotant (article 3) sur le caoutchouc du clignotant d'origine, comme indiqué ci-dessous.



Page | 11

- Monter les clignotants d'origine sur le nouveau support de plaque (article 1), voir photo 12 puis fixer comme à l'origine.

Si vous utilisez les minis clignotants d'origine

- Pour monter les mini clignotants R&G (code produit RG370 pour type ampoule et RG371 pour type LED ou RG372 pour LED latérale), appliquer un bandeau thermo rétractable (article 8) sur les fils de chaque clignotant.
- Positionner les 2 adaptateurs de clignotants (article 2 -I0031) sur les fils de chaque clignotant, en veillant à ce que les parties en face l'une de l'autre possèdent un profil central relevé, avant d'insérer l'écrou fourni, voir ci-dessous.



- Monter le feu de plaque R&G (article 7) voir photos 13 et 14, svp notez que vous devrez monter le linceul de feu et utiliser une peu d'adhésif pour maintenir la position.
- Couper puis positionner le bandeau autocollant (article 13) voir photo 15.
- Couper l'œillet en caoutchouc (article 4) en 2 moitiés pour permettre à la prise de feu de plaque plus large et aux fils de clignotants d'être positionnés, voir photo 16.
- Passer les fils dans l'œillet en caoutchouc (article 4) et montez le sur le support de plaque (article 1) voir photo 17.
- Utiliser les colliers de serrage fournis ainsi que les clips cable (articles 14 et 15) pour serrer et tenir les fils en place, voir photo 18.
- Placer l'assemblage de support de plaque sur la roue arrière tout en plaçant le fil dans le trou au dessous du sous cadre arrière.
- Monter l'assemblage de support de plaque au dessous de l'unité de support de plaque (voir les photos du haut) et placer un des 4 boulons M6 x 35mm (article 11) avec une rondelle (article 9) dans le support de plaque au dessous, puis dans l'emplacement présent sur le sous-cadre arrière, voir photo 19. Avec le filetage exposé du boulon dépassant au dessus, placer une rondelle et un écrou M6 (articles 9 et 10) sur le boulon puis serrer légèrement.

R&G Racing

Unit 1, Shelley's Lane, East Worldham, Alton, Hampshire, GU34 3AQ

Tel: +44 (0)1420 89007 Fax: +44 (0)1420 87301 www.rg-racing.com Email: info@rg-racing.com



LP0212

Page | 12

- Insérer les 3 boulons restants avec rondelles dans le support de plaque de la même façon , puis serrer légèrement les écrous.
- Une fois les 4 boulons en place, ils peuvent être serrés. *Svp, veiller à ce que les fils ne soient pas pincés.*
- Connecter le feu de plaque à l'aide de la prise fournie (si le feu de plaque ne s'allume pas, tournez les connecteurs), si vous utilisez les clignotants d'origine, connecter au faisceau principal comme à l'origine (ils ont un code couleur pour éviter toute erreur) puis vérifier le fonctionnement des feux et clignotants. Si vous utilisez les mini clignotants R&G, utiliser les 2 connecteurs restants (article 6) pour connecter le faisceau principal. Si vous utilisez les clignotants R&G à LED, des résistances (Code produit RGR0001) peuvent être nécessaires pour obtenir le bon éclairage (si l'éclairage échoue, tournez les connecteurs).
- **IMPORTANT: Si vous installez une grosse plaque, il y a un risque que la plaque entre en contact avec la roue arrière en cas de choc sur la route (bosse, grosse charge etc...). Il est de votre responsabilité de vérifier que cela ne puisse pas se produire. Ne pas effectuer ces vérifications peut entraîner des dommages ainsi que des blessures graves pour le pilote.**
- Remettre le siège et la plaque d'immatriculation (peut nécessiter un perçage).
- Selon la loi locale, attachez le réflecteur (article 16) fourni à son emplacement approprié
- **Vérifiez que les clignotants et les feux de plaque fonctionnent bien avant de prendre la route.**

Notice disponible au téléchargement sur www.rg-racing.com

COUPLES DE SERRAGE RECOMMANDÉS :

M4 BOULON = 8Nm
M5 BOULON = 12Nm
M6 BOULON = 15Nm
M8 BOULON = 20Nm
M10 BOULON = 40Nm

ISSUE 1 13/02/2017 (NSY)

CONSUMER NOTICE

The catalogue description and any exhibition of samples are only broad indications of the Products and R&G may make design changes which do not diminish their performance or visual appeal and supplying them in such state shall conform to the order. The Buyer acknowledges no representation or warranty (other than as to title) has been given or will apply to the Products other than those in R&G's order or confirmation and the Buyer confirms it has chosen the Products as being of merchantable quality and suitable for its particular purposes. Where R&G fits the Products or undertakes other services it shall exercise reasonable skill and care and rectify any fault free of charge unless the workmanship has been disturbed. The Buyer is responsible for ensuring that the warranty on the motorcycle is not affected by the fitting of the Products. On return of any defective Products R&G shall at its option either supply a replacement or refund the purchase money but shall not be liable if the Products have been modified or used or maintained otherwise than in accordance with R&G's or manufacturer's instructions and good engineering practice or if the defect arises from accident or neglect. Other than identified above and subject to R&G not limiting its liability for causing death and personal injury, it shall not be liable for indirect or consequential loss and otherwise its liability shall be limited to the amounts paid by the Buyer for the Products or the fitting or service concerned. These terms do not affect the Buyer's statutory rights.

R&G RACING RETURNS POLICY (NON-FAULTY GOODS)

Returns must be pre-authorized (if not pre-authorized the return will be rejected). Goods may only be returned direct to us if they were purchased direct from us (customer must prove if necessary). Otherwise to be returned to original vendor. Goods must be in re-sellable condition, in the opinion of R&G Racing. All returns are subject to a 25% restocking and handling fee (25% of the gross value exc. P&P – at the prevailing price at time of purchase). The customer must pay any and all carriage charges. No returns of discontinued products, unless within 14 days of purchase. This policy does not affect your statutory rights and does not refer to faulty goods.

R&G Racing

Unit 1, Shelley's Lane, East Worldham, Alton, Hampshire, GU34 3AQ

Tel: +44 (0)1420 89007 Fax: +44 (0)1420 87301 www.rg-racing.com Email: info@rg-racing.com