

# HYPHERPRO

## STEERING DAMPER MOUNTING KIT

for

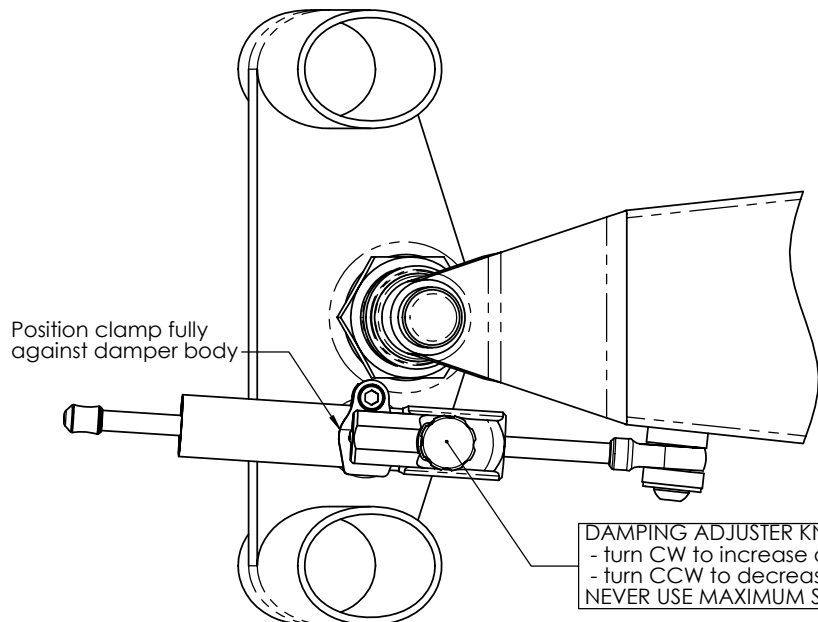
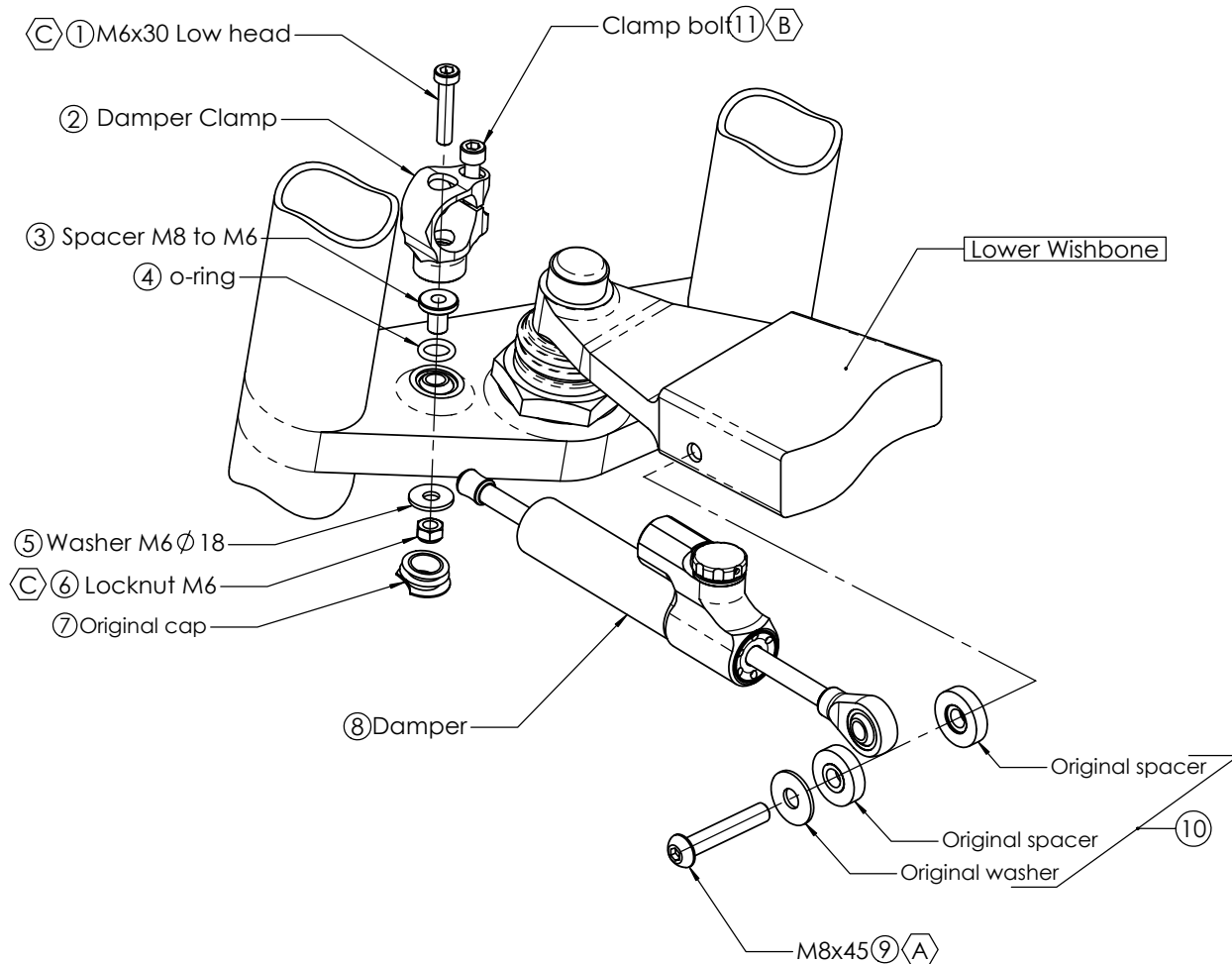
### BMW K1200 GT, LT, RS Model 2003 ->

#### MK-BM12-0001 PART LIST

SD stroke 75	1	-	-
Tube Clamp TYPE 3	1	-	-
O-Ring	1	-	-
M6x30 Low head	1	-	-
M8x45 Button head	1	-	-
Spacer M6 to M8	1	-	-
Washer M6 Ø 18	1	-	-
Locknut M6	1	-	-

ALL IDEAS, DESIGNS ARRANGEMENTS AND PLANS INDICATED OR REPRESENTED BY THIS DRAWING ARE OWNED BY HYPHERPRO AND WERE CREATED, EVOLVED AND DEVELOPED FOR USE ON AND IN CONNECTION WITH THE SPECIFIC PROJECT. NONE SUCH IDEAS, DESIGNS, ARRANGEMENTS OR PLANS SHALL BE USED BY OR DISCLOSED TO ANY PERSON, FIRM OR CORPORATION FOR ANY PURPOSE WHATSOEVER WITHOUT THE WRITTEN PERMISSION OF HYPHERPRO.

### STEP 1 : REMOVE ORIGINAL STEERING DAMPER



**DAMPING ADJUSTER KNOB**  
 - turn CW to increase damping  
 - turn CCW to decrease damping  
**NEVER USE MAXIMUM SETTING !**

**1  
of 2**

- A 14-17Nm / 124-150Lbs.In / 10.3-12.5Lbs.Ft
- B 6Nm / 53Lbs.In / 4.4Lbs.Ft
- C 5-9Nm / 40-80Lbs.In / 4.0-6.4Lbs.Ft

**See [WWW.HYPHERPRO.COM](http://WWW.HYPHERPRO.COM) for the latest pictures, modifications, specs. and e-drawings of this steering damper kit.**

# HYPERPRO

## STEERING DAMPER MOUNTING KIT

for

### BMW K1200 GT, LT, RS Model 2003 ->

#### MK-BM12-0001 INSTALLATION INSTRUCTIONS

##### **In general:**

HYPERPRO can not be held responsible in any way for any form of physical, material, financial or other damage arising from use, assembly or overhaul of HYPERPRO products. HYPERPRO reserves the right to make changes without prior notice.

This product is ONLY TO BE INSTALLED BY A PROFESSIONAL MECHANIC.

This product is only to be used for the motorcycle brand, model and year stated specifically on top of the pages of this manual.

DO NOT attempt to install this product on motorcycles from any different brand, model and/or year than stated on the pages of this manual.

DO NOT use this kit for cars, boats, jet-skis, snowmobiles, ATV's, aircraft, hovercrafts or any other vehicle and/or purpose.

HYPERPRO steering dampers are FOR RACE USE ONLY, NOT FOR HIGHWAY USE!

##### **Before installation:**

- Please read the entire manual carefully before starting the installation!
- Check if you have all the tools required. Good tools are a must.
- Protect your bike at the most important places in and around the work area (e.g. tank, fairing, frame, etc.), with a blanket, towel or similar.

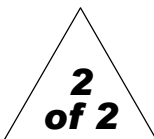
##### **During installation:**

- Check all operations and parts carefully before, during and after performing each step.
- Clean all surfaces that are required for fitting parts together or for applying self adhesives or loctite, thoroughly with contact cleaner or another degreaser, unless otherwise stated.
- Be careful not to damage or scratch any part of your bike.
- ALWAYS work relaxed and concentrated!! It is very easy to damage something or make a mistake.

##### **After installation:**

- Check and make sure that there is no contact between any part of the steering damper kit and any part of the motorcycle. The kit should not hit anything. Steering movement should not be limited by the steering damper. If the steering movement is limited, adjust the position of the tube in the clamp until steering movement is normal again. Do not forget to tighten the clamp bolt again!
- ALWAYS check the steering movement and feeling before each ride !
- FIRST RIDES: Start with the damper turned fully open (turn adjuster knob fully counter clockwise). Start adjusting in between rides with steps of MAX. 2 CLICKS (0.25 TURN) EACH TIME, until the damper is working satisfactory for your riding style.
- NEVER USE MAXIMUM SETTING, ALWAYS OPEN AT LEAST 2 CLICKS (0.25 TURN).

- WARNING ! DAMPER HAS AN ACTIVE / SPEEDSENSITIVE DAMPING SYSTEM;
  - Steering with NORMAL MOVEMENT should be FREE !!
  - Steering with FAST MOVEMENT should be CONTROLLED BY DAMPER !!
- HYPERPRO uses a special seal to reduce friction. The seal uses an oil film to work properly. It is normal that some oil can appear on the pistonrod.
- Damper works with oil: DAMPING CAN BE HARDER AT LOWER TEMPERATURES!



##### **Step 1: Remove the original steering damper**

##### **Step 2: installing the damper clamp**

- Bolt M6x30 Low head (1)
- Tube Clamp TYPE 3 (2)
- Spacer M8 to M6 (3)
- O-Ring (4)
- Washer M6  $\phi$  18 (5)
- Lock nut M6 (6)

Put the assembly together as shown on page 1: Place the spacer (3) and o-ring (4) in the hole in the lower triple tree. Use the M6x30 bolt (1) through the clamp (2) and place them through the spacer, make sure that the clamp bolt (1) is facing towards the right. On the bottom, place the washer (5) and screw the lock nut M6 (6) on the bolt. Tighten the nut with a torque of approx. 5-9Nm/44-80Lbs.In/4.0-6.4Lbs.Ft. Replace the original dust cap (7) over the hole.

##### **Step 3: installing the steering damper**

- Steering damper(8)
- Bolt M8x45 button head (9)
- Original washers and spacers (10)

Ensure that the clamp bolt of the tube clamp is pointing to the right. Shove the damper (8) through the clamp until the damper body is fully against the clamp, then tighten the M6 clamp bolt (15) with a torque of approx. 6Nm/53Lbs.In/4.4Lbs. Use the M8 bolt (9) and original spacers & washer to fit the balljoint to the lower wishbone and tighten the bolt with a torque of approx. 14-17Nm/124-150Lbs.In/10.3-12.5Lbs.Ft.

Check if the damper does not touch anything when steering from left to right. Check if the bike can make it's full steering angle from left to right.

**See [WWW.HYPERPRO.COM](http://WWW.HYPERPRO.COM) for the latest pictures, modifications, specs. and e-drawings of this steering damper kit.**