

HYPHERPRO

STEERING DAMPER MOUNTING KIT

for

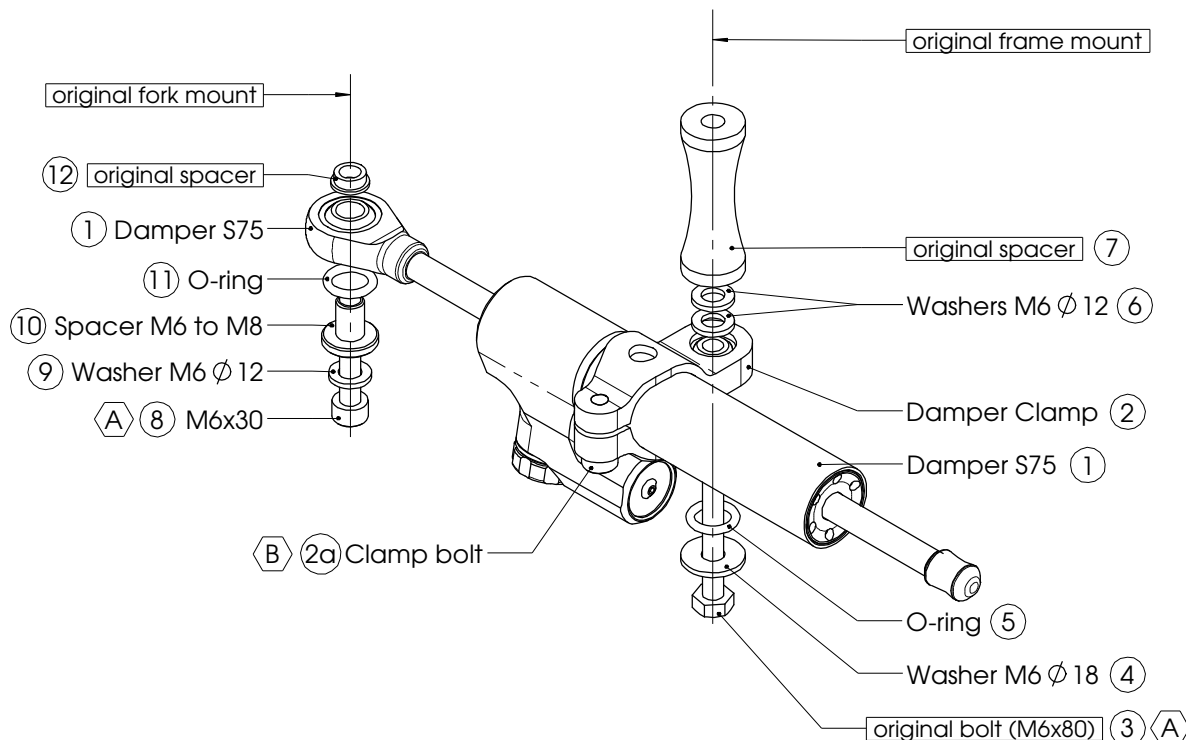
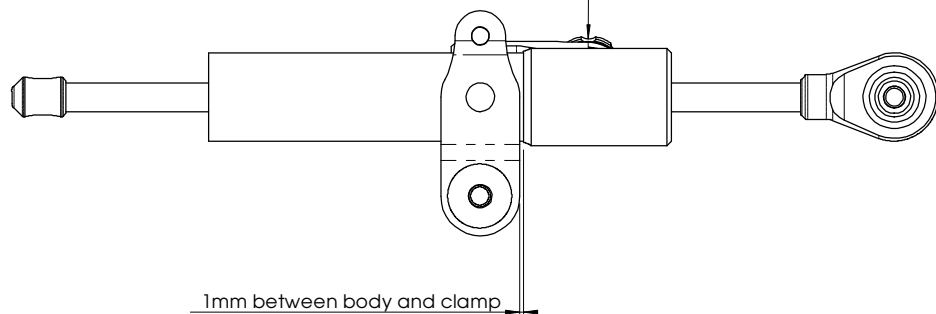
APRILIA TUONO 1000 R (FACTORY) Model 2006>

MK-AP10-0006 PART LIST

SD stroke 75	1	-	-
Tube Clamp TYPE 7	1	-	-
O-Ring	2	-	-
M6x30	1	-	-
Spacer M6 to M8	1	-	-
Washer M6 ϕ 12	3	-	-
Washer M6 ϕ 18 h1.6	1	-	-
-	-	-	-

ALL IDEAS, DESIGNS, ARRANGEMENTS AND PLANS INDICATED OR REPRESENTED BY THIS DRAWING ARE OWNED BY HYPERPRO AND WERE CREATED, EVOLVED AND DEVELOPED FOR USE ON AND IN CONNECTION WITH THE SPECIFIC PROJECT. NONE SUCH IDEAS, DESIGNS, ARRANGEMENTS OR PLANS SHALL BE USED BY OR DISCLOSED TO ANY PERSON, FIRM OR CORPORATION FOR ANY PURPOSE WHATSOEVER WITHOUT THE WRITTEN PERMISSION OF HYPERPRO.

Damping adjustment knob:
- turn CW to increase damping,
- turn CCW to decrease damping,
avoid using maximum setting



1
of 2

- A 5-9Nm / 44-80Lbs.In / 4.0-6.4Lbs.Ft
- B 6Nm / 53Lbs.In / 4.4Lbs.Ft

See WWW.HYPERPRO.COM for the latest pictures, modifications, specs. and e-drawings of this steering damper kit.

HYPERPRO

STEERING DAMPER MOUNTING KIT

for

APRILIA TUONO 1000 R (FACTORY) Model 2006>

MK-AP10-0006 INSTALLATION INSTRUCTIONS

In general:

HYPERPRO can not be held responsible in any way for any form of physical, material, financial or other damage arising from use, assembly or overhaul of HYPERPRO products. HYPERPRO reserves the right to make changes without prior notice.

This product is ONLY TO BE INSTALLED BY A PROFESSIONAL MECHANIC.

This product is only to be used for the motorcycle brand, model and year stated specifically on top of the pages of this manual.

DO NOT attempt to install this product on motorcycles from any different brand, model and/or year than stated on the pages of this manual.

DO NOT use this kit for cars, boats, jet-skies, snowmobiles, ATV's, aircraft, hovercrafts or any other vehicle and/or purpose.

HYPERPRO steering dampers are FOR RACE USE ONLY, NOT FOR HIGHWAY USE!

Before installation:

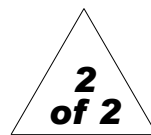
- Please read the entire manual carefully before starting the installation!
- Check if you have all the tools required. Good tools are a must.
- Protect your bike at the most important places in and around the work area (e.g. tank, fairing, frame, etc.) with a blanket, towel or similar.

During installation:

- Check all operations and parts carefully before, during and after performing each step.
- Clean all surfaces that are required for fitting parts together or for applying self adhesives or loctite, thoroughly with contact cleaner or another degreaser, unless otherwise stated.
- Be careful not to damage or scratch any part of your bike.
- ALWAYS work relaxed and concentrated!! It is very easy to damage something or make a mistake.

After installation:

- Check and make sure that there is no contact between any part of the steering damper kit and any part of the motorcycle. The kit should not hit anything. Steering movement should not be limited by the steering damper. If the steering movement is limited, adjust the position of the tube in the clamp until steering movement is normal again. Do not forget to tighten the clamp bolt again!
- ALWAYS check the steering movement and feeling before each ride !
- FIRST RIDES: Start with the damper turned fully open (turn adjuster knob fully counter clockwise). Start adjusting in between rides with steps of MAX. 2 CLICKS (0.25 TURN) EACH TIME, until the damper is working satisfactory for your riding style.
- NEVER USE MAXIMUM SETTING, ALWAYS OPEN AT LEAST 2 CLICKS (0.25 TURN).
- WARNING ! DAMPER HAS AN ACTIVE / SPEEDSENSITIVE DAMPING SYSTEM;
 - Steering with NORMAL MOVEMENT should be FREE !!
 - Steering with FAST MOVEMENT should be CONTROLLED BY DAMPER !!
- HYPERPRO uses a special seal to reduce friction. The seal uses an oil film to work properly. It is normal that some oil can appear on the pistonrod.
- Damper works with oil: DAMPING CAN BE HARDER AT LOWER TEMPERATURES!



Step 1: remove the original steering damper

It is located underneath the headlight fairing.

Step 2: damper and clamp assembly

Assemble the damper and clamp using:

- S75 Steering Damper (1)
- Damper Clamp (2)

Shove the steering damper (1) into the damper clamp (2) as shown on page 1. Make sure the parts are orientated correctly and set the distance between body and clamp to 1mm as shown. Tighten the clamp bolt (2a) with a torque of approx. 6Nm/53Lbs.In/4.4Lbs.Ft.

Step 3: installation to frame

Install to the frame using:

- Steering damper and clamp assembly (1 & 2)
- Original bolt M6x80 (3)
- Washer M6 \varnothing 18 (4)
- 1x O-ring (5)
- 2x Washer M6 \varnothing 12 (6)
- Original spacer (7)

Ensure that the clamp bolt (2a) of the Damper Clamp (2) is facing down. Use the original M6x80 bolt (3) to fit all parts (2, 4, 5, 6 & 7) to the original frame mounting hole as shown on page 1. Tighten the bolt with a torque of approx. 5-9Nm/44-80Lbs.In/4.0-6.4Lbs.Ft

Step 4: final installation to fork

Install to the fork using:

- Bolt M6x30 (8)
- Washer M6 \varnothing 12 (9)
- Spacer M6 to M8 (10)
- 1x O-ring (11)
- Original spacer (12)

Use the M6x30 bolt (8), washer (9), spacer (10) and O-ring (11) to fit the damper head to the original fork mounting hole in the lower yoke as shown on page 1. Do not forget the original spacer (12) in the plastic part! Tighten the bolt with a torque of approx. 5-9Nm/44-80Lbs.In/4.0-6.4Lbs.Ft

Check if the damper is level horizontally and aligned to the bike.
Check if the damper does not touch anything when steering from left to right.
Check if the bike can make it's full steering angle from left to right.
Adjust the position of the damper in the bracket if necessary to improve.

See WWW.HYPERPRO.COM for the latest pictures, modifications, specs. and e-drawings of this steering damper kit.